

Semi-underground containers SEMIQ



SEMIQ 1,5 - SEMIQ 3,0 - SEMIQ 5,0

Semi-underground containers

SEMIQ



Due to the increasing of waste production and to the high requirements for its condition and sorting, the collection spot capacity should be gradually increased as well, but they are often located at places where every square meter is valuable. Owing to using our semi-underground containers, you will be able to use the collection spot space better and, simultaneously improve its aesthetic appearance and cleanliness.

These containers can be even used in far areas as their large capacity enables longer collection intervals, therefore it reduces collection costs. Their design is based on our own development taking into consideration not only their appearance but their ergonomic aspect as well.

Main advantages

- Considerably higher collection spot capacity,
- Collection frequency reduction, leading to lower costs and reducing negative impacts on the environment (less CO2 emissions, less noise and traffic),
- Most of the waste is stored below the ground level with lower and more stable temperature, slowing waste decomposition and odor reduction,
- Waste is stored up to a height of 2.5 m, resulting in better compaction by its own weight,
- Reduction of vandalism and the possibility of re-collecting waste, incl. access of animals,
- Aesthetic appearance and cleanliness of the collection point that does not overflow with garbage.

Specifikace

- Made of polyethylene,
- All steel parts are hot dip galvanized,
- They consist of an outer silo built in the ground (ca. 1350 mm) and an internal removable cylindrical container or bag.

Emptying

- Into an open top roll-off containers or compaction superstructures, using an hydraulic crane,
- Single/double hooks or Kinshofer systems.

Usage

- For selective collection of glass, paper, plastics, bio waste and residual municipal waste.

Basic versions

- Bag or solid plastic/steel inner container,
- Standard lid of safety drum,
- Outer housing Wood or Urban.

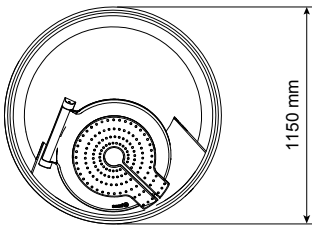
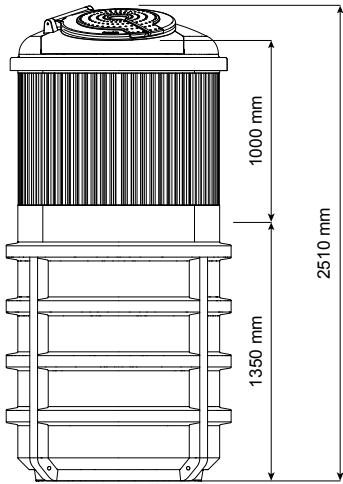


SemiQ 5,0 Wood - reference Valašské Meziříčí

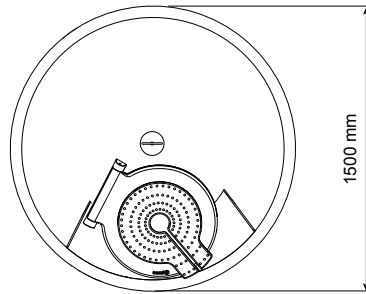
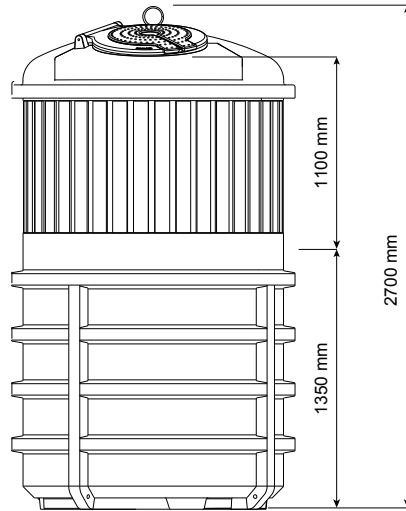


type	SemiQ 1,5	SemiQ 3,0	SemiQ 5,0
volume [m³]	1,5	3,0	5,0
size: diameter x h [mm]	1150 x 2510	1500 x 2700	1900 x 2770

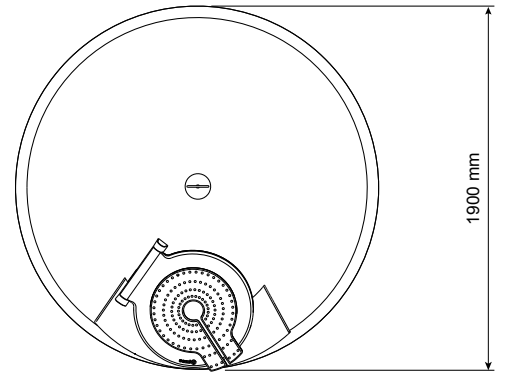
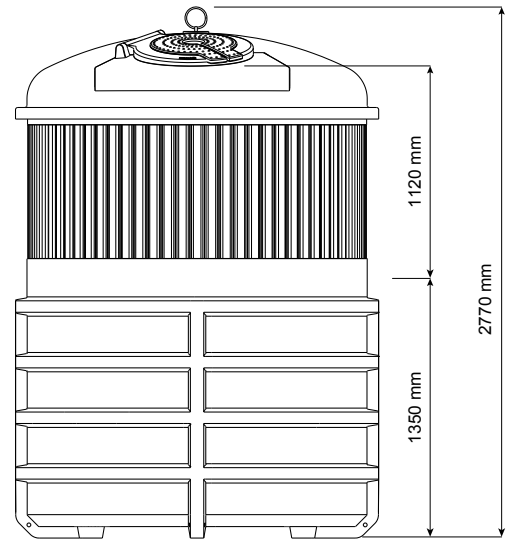
SemiQ 1,5



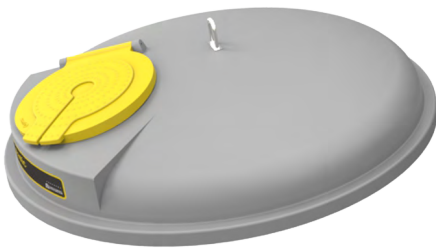
SemiQ 3,0



SemiQ 5,0



Cover types



Standard lid



Double standard lid



Security drum with a capacity of 80 l

Inlet openings



Ø 165 mm



Ø 180 mm



Ø 500 mm



200 x 250 mm



200 x 420 mm

SemiQ 5,0 Wood, total view



SemiQ 5,0 Urban, cross section



Internal container with two-hook system (two-part bottom)



Bag



Bag with one-part bottom



Internal container with pedal system (one-part bottom)



Recommended color design



SemiQ dark grey + wood



SemiQ light grey + wood



SemiQ dark grey + inox



SemiQ light grey + dark grey trapeze sheet



SemiQ dark grey + silver trapeze sheet



SemiQ dark grey + dark grey trapeze sheet



SemiQ dark grey + olive trapeze sheet



SemiQ light grey + brown plastic wood



SemiQ dark grey + brown plastic wood



SemiQ dark grey + grey plastic wood



ELKOPLAST CZ, s.r.o.

Štefánikova 2664
760 01 Zlín
Czech Republic
e-mail: elkoplast@elkoplast.cz

tel.: +420 575 571 000
fax: +420 575 571 099

